



# TONLY TLD96

OFF-ROAD DUMP TRUCK

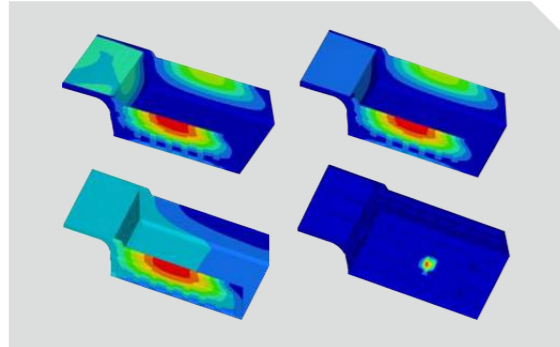
PAYLOAD	70 TON
CARGO CAPACITY:	36 CBM(STANDARD)
ENGINE:	530HP/390KW
AUTOMATIC TRANSMISSION	



**SHAANXI TONLY HEAVY INDUSTRIES CO.,LTD.**

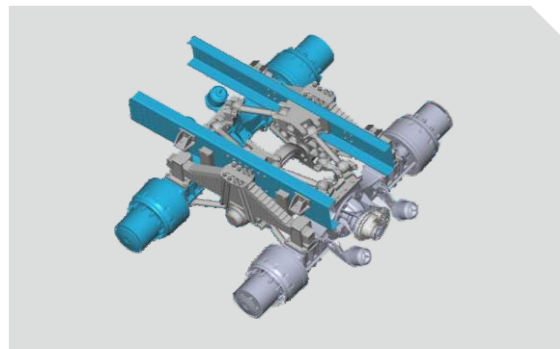
Address: No.2339, Fengchan Road, Fengdong new city, Xi'an City Shaanxi Province, China.  
Sales Hotline:+86-029-38001214 Fax:+86-029-38001213  
Website: www.tonlyoverseas.com Email:nathan.tang@sntonly.com

Shaanxi Tonly Heavy Industries Co.,Ltd,reserves the right of design changes and internetation.  
A parameters and details are subject to the commercial contract and vehicles.



● **Cargo body**

In line with the characteristics of material, the steel plate with wear-resisting.



● **suspension**

Leaf spring balance rear suspension, adapts the off-road working condition. Upper & lower double V type guide structure with more load and high reliability.



● **Tire**

Special mining tire for mine only with longitudinal and transverse groove design, which provide excellent grip performance and comfort of operation strong carrying capacity and long service life.



● **FOPS/ROPS Certificate(optional)**

Tonly product is the only one obtained the certificate for big payload through severe test



● **Through beam structure**

Anti-collision beam + bumper + through beam structure, effectively protects the driver and the vehicle.



● **Intake system**

Three stage combined air filter can improve the efficiency of air filtering, and improve the air clearness.



● **Steering system**

Tonly developed full hydraulic steering system (TONLY owns all patent of this technology), reduce the steering oil temperature, steering operation is lighter, greatly improve the life cycle of the system components, and ensure the truck safety.



● **Hydraulic Retarder(optional)**

Transmission combined with hydraulic retarder can reduce the speed of the truck when going down a long slope, works long time and high power, reduce the wear out of braking components and extend the tire life time, ensure the operation safety.



## TONLY TLD96 Configurations and Characteristics



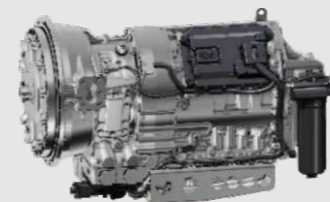
### ● Engine

WEICHAI (Tier III) engine with stable performance, reliable quality, fuel conservation and environment protection.



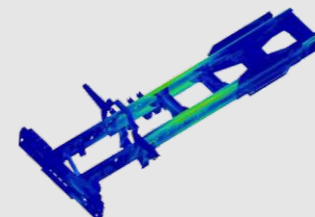
### ● Axle Assembly

TONLY and HANDE jointly design the special axle for mine transportation. Strengthened single casting axle housing, double reduction. Big torque, high transmission efficiency and high reliability.



### ● Transmission

FC7A260PT automatic control transmission, high reliability, convenient operation, high efficiency, excellent acceleration performance.



### ● Main frame

High-strength steel plate is used for flexible chassis frame for mine, which has national patent. The impact abrasion is strong with long service life.



### ● Lifting Device

HYVA hydraulic lifting system, strong lifting power, stable lifting performance.

**TONLY TLD96  
Technical Parameter**

Complete technical parameter	
Model	TLD96
Brand	TONLY
Manufacturer	Shaanxi Tonly Heavy Industries Co.,Ltd.
Drive mode	6×4
GVW (t)	105
Rated loading capacity (t)	70
Kerb mass (t)	35
Overall dimension	9350x3640x4050mm
Minimum turning radius	11m
Wheelbase	3775+1750mm
Wheel tread	2838mm/2626mm
Minimum ground clearance	400mm
Maximum height of lifting cargo body	8300mm
Maximum angel of lifting cargo body	47°
Loading height	3950mm
Brake distance	<15m (V=30km/h)
Maximum gradeability	32%
Maximum speed	45km/h
Engine	
Model	WP13.530 (Euro III Emission)
Manufacturer/Country	Weichai Power Co., Ltd. / China
Total Horse power(HP/KW)	530hp (390KW)
Transmission	
Model	FC7A260PT
Manufacturer/Country	Xi'an FC Intelligent Transmission Co., Ltd. /China
Axle	
Model	25t steering front axle, 2x40t drive middle and rear axle
Manufacturer/Country	Shaanxi Hande Axle Co., Ltd./China
Tire/Rim	
Tire Model	
Rim size	11.25/20-25
Container	
Bottom plate material / thickness	NM400/18mm
Rear plate material / thickness	NM400/10mm
Front plate material / thickness	T700/12mm
Side plate material / thickness	T700/12mm
Loading volume	Struck 36m <sup>3</sup>

**Hydraulic system**

Model	FC191
Manufacturer/Country	HYVA Machinery (Yangzhou) Co., Ltd./China
Steering gear	Full hydraulic steering
Lifting time for cargo body	33s
Falling time for cargo body	30s

**Weight distribution**

Empty payload	
Front axle	15000kg
Rear axle	20000kg
Total weight(50% fuel)	35000kg
Heavy payload	
Front axle	25000kg
Rear axle	80000kg
Total weight	105000kg

